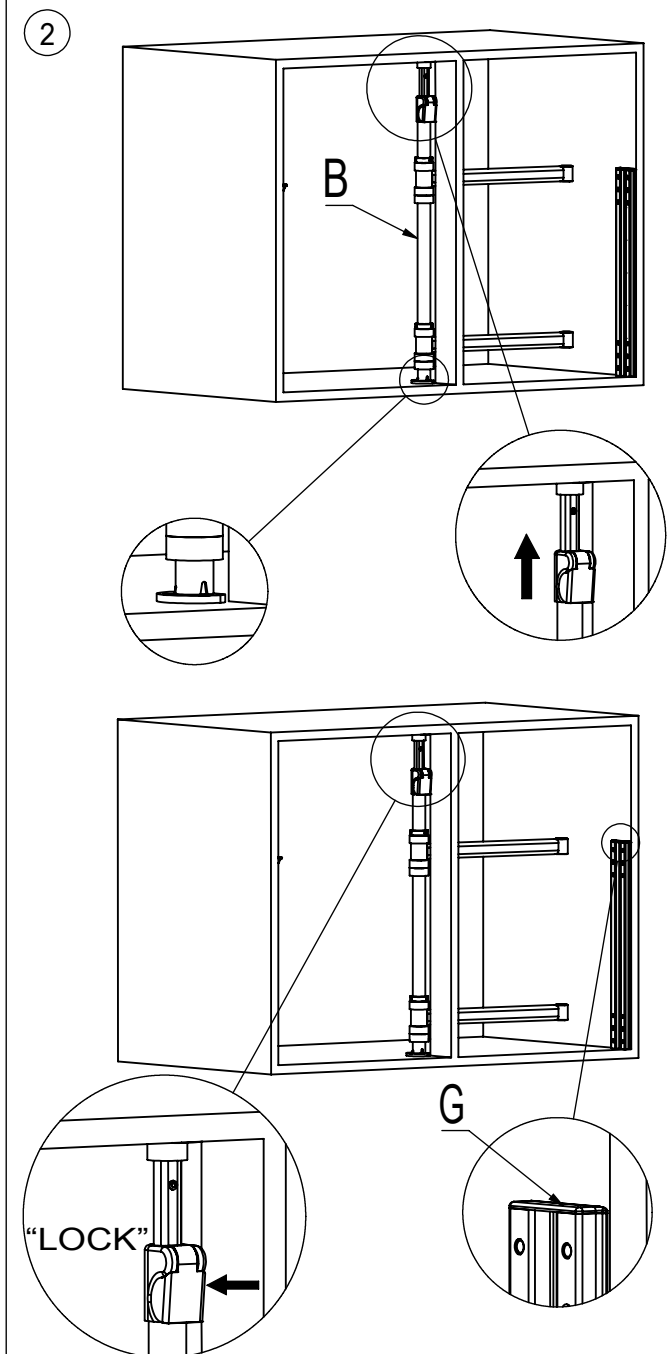
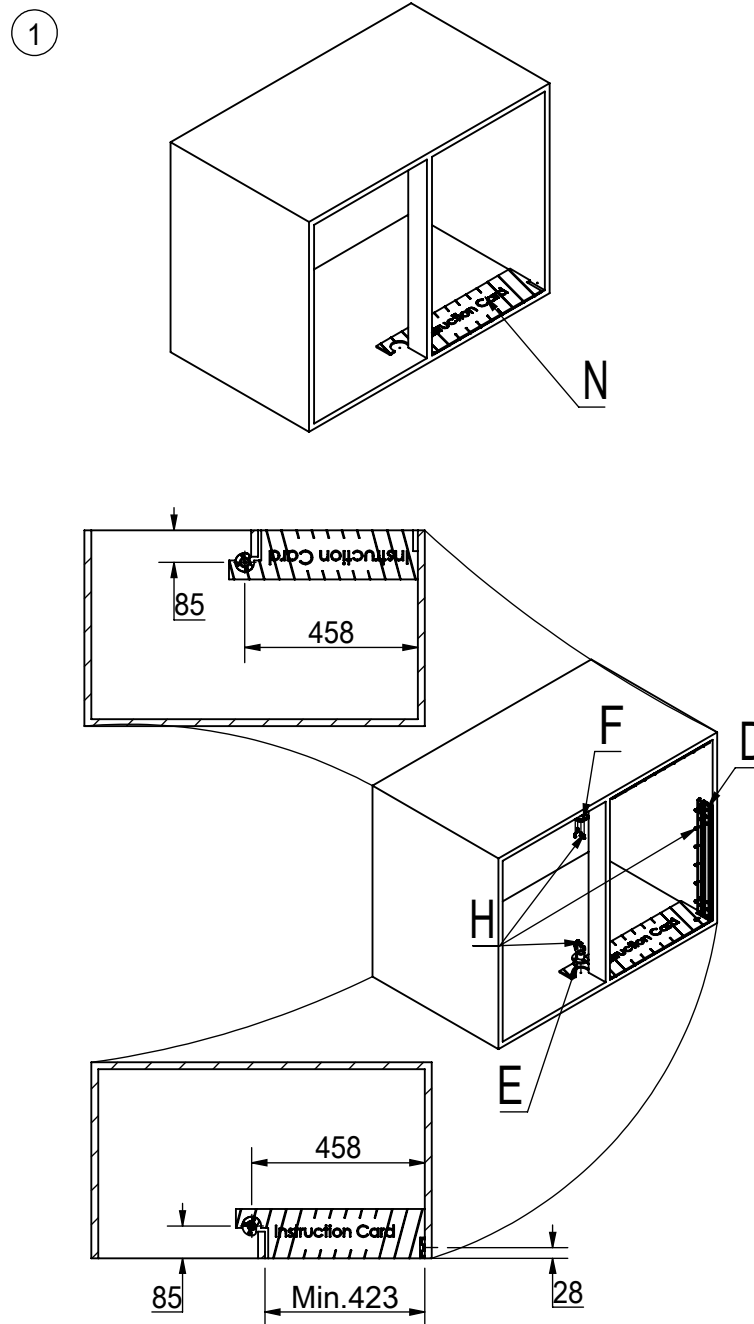


Instruction of Swing tray(900-Right Open)

Unit : mm

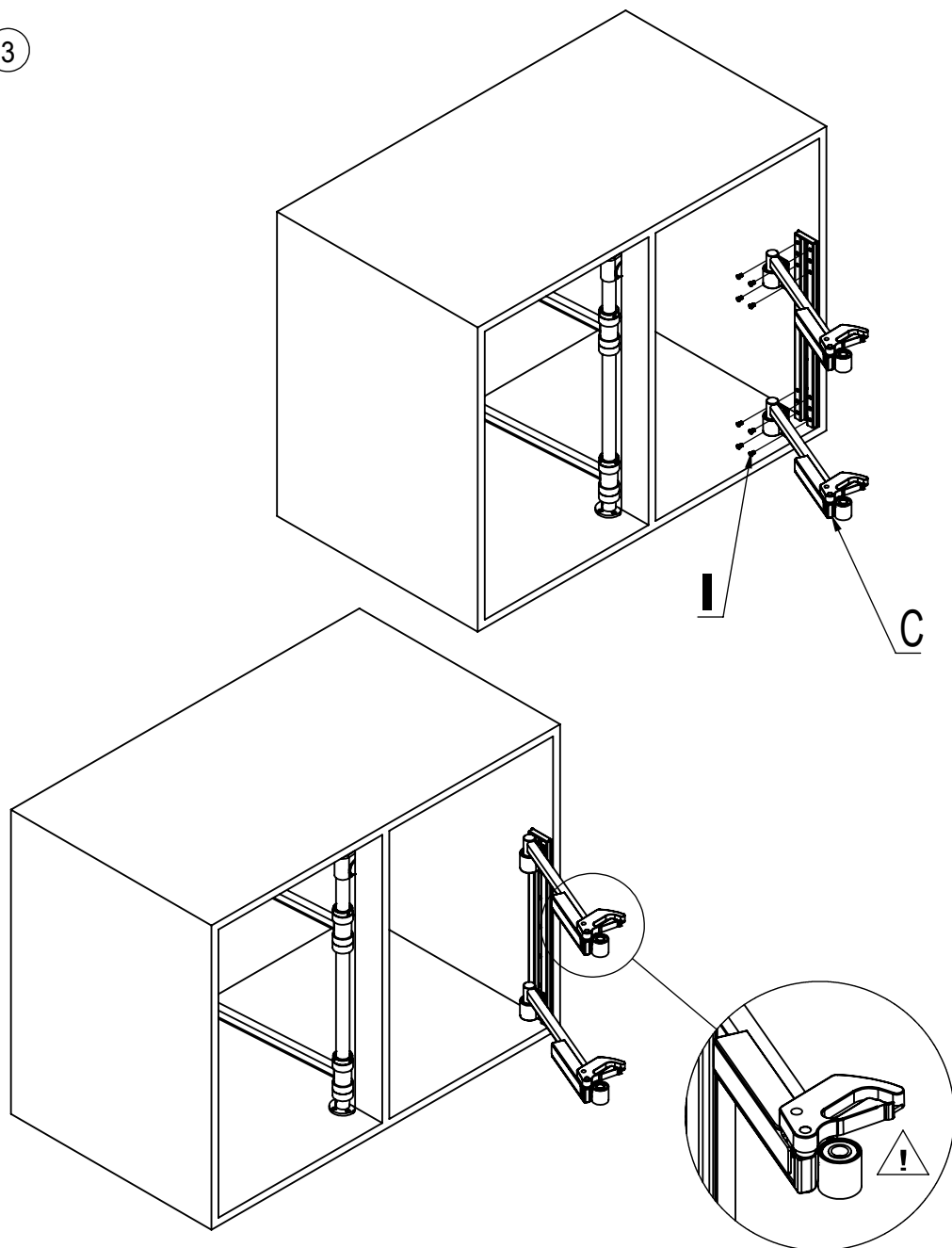
A		2x
B		1x
C		2x
D		1x
E		1x
F		1x
G		1x
H	Screw:ST4*14	15x
I	Screw:M5*8	8x
J	Shim:φ6*16	4x
K	Allen Screw:M6*14	4x
L	Allen Key:S=2.5	1x
M	Allen Key:S=5	1x
N		1x



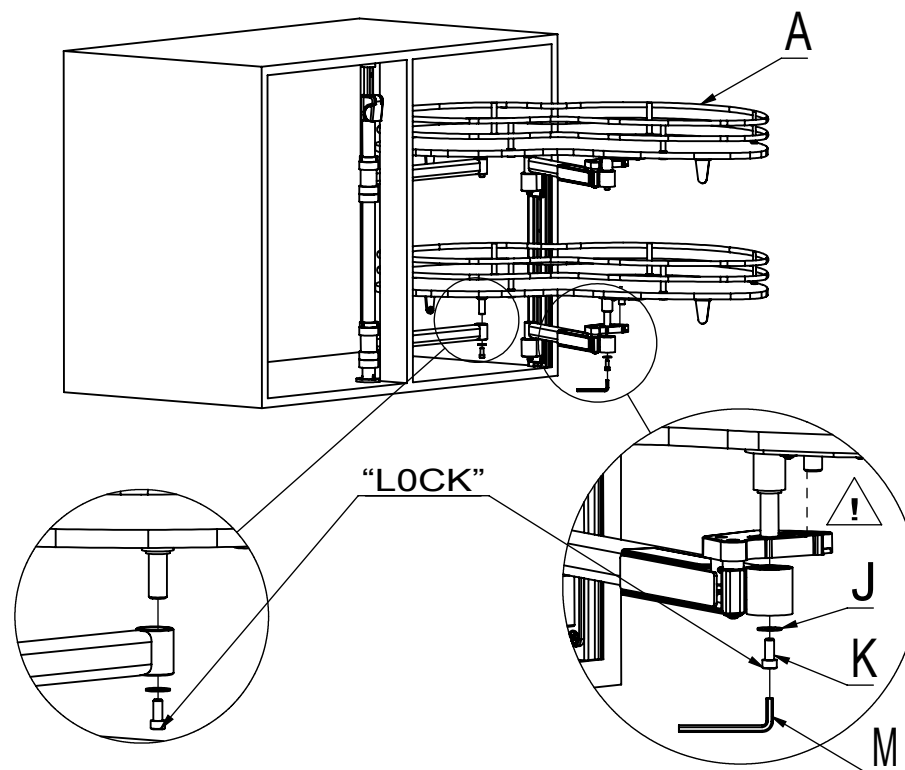
Instruction of Swing tray(900-Right Open)

Unit : mm

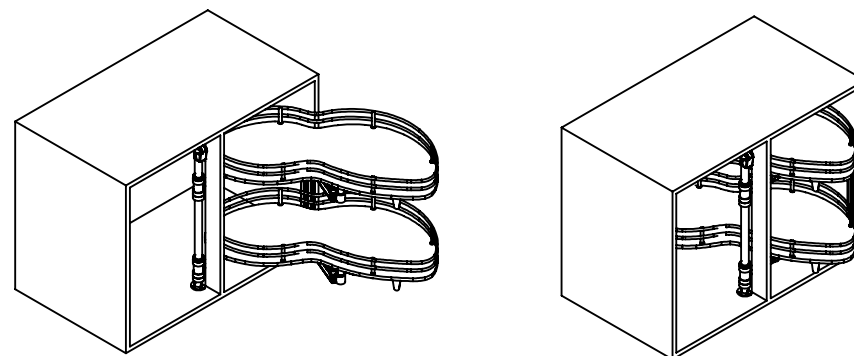
3



4

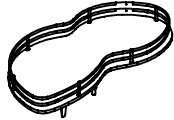
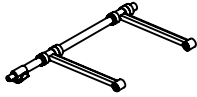









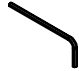

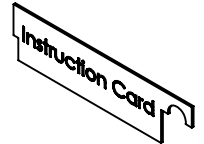


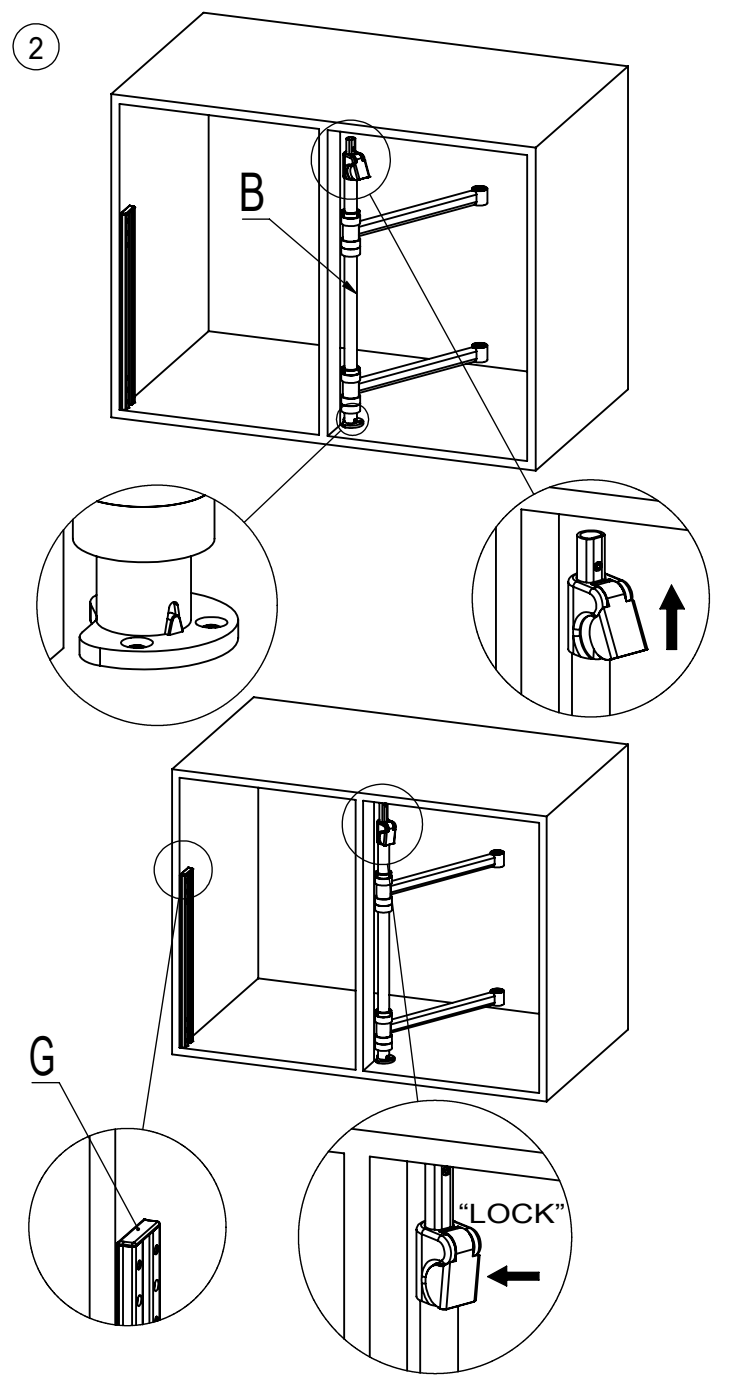
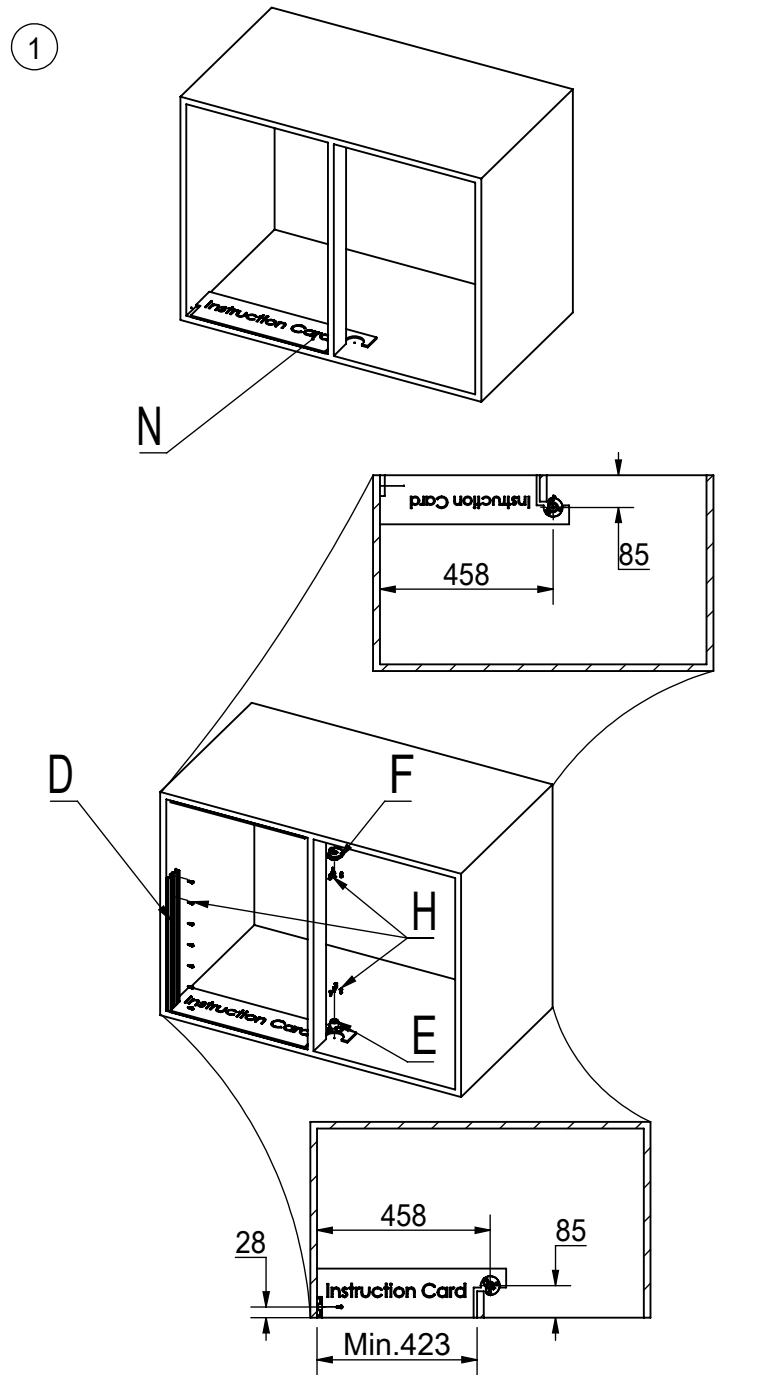
5



Instruction of Swing tray (900-Left Open)

Unit : mm

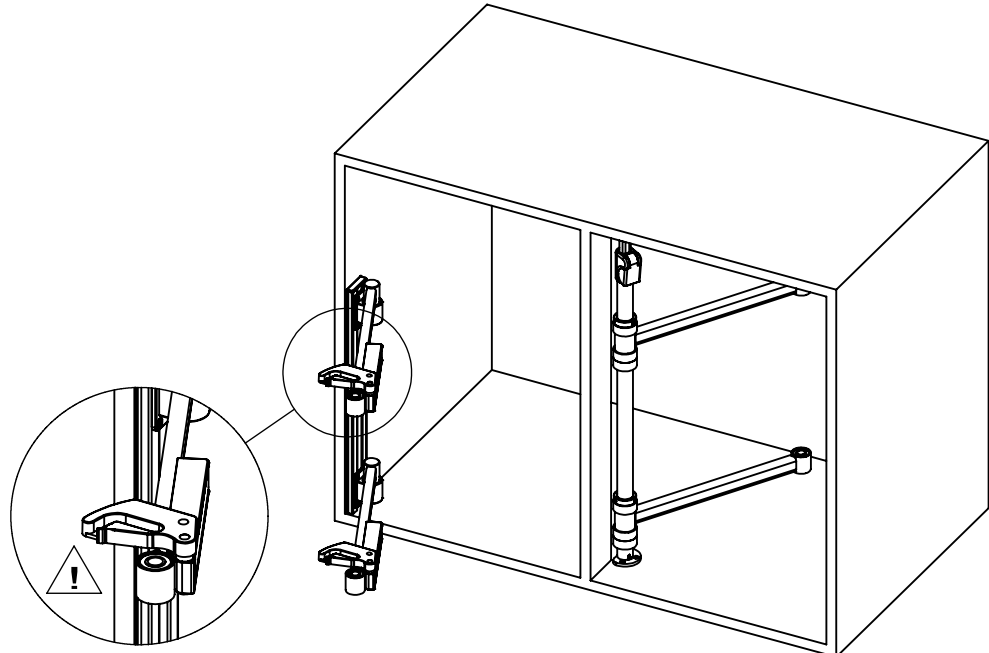
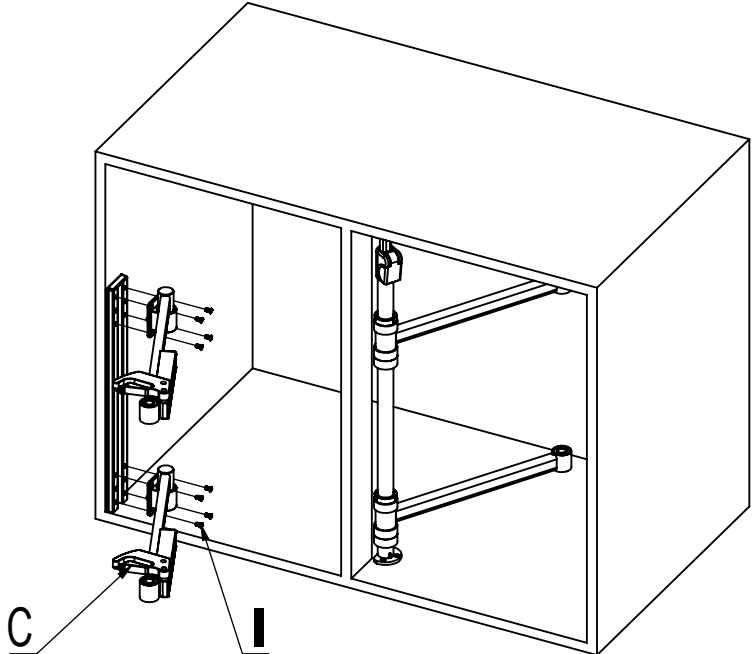
A		2x
B		1x
C		2x
D		1x
E		1x
F		1x
G		1x
H	 Screw:ST4*14	15x
I	 Screw:M5*8	8x
J	 Shim:φ6*16	4x
K	 Allen Screw:M6*14	4x
L	 Allen Key:S=2.5	1x
M	 Allen Key:S=5	1x
N	 Instruction Card	1x



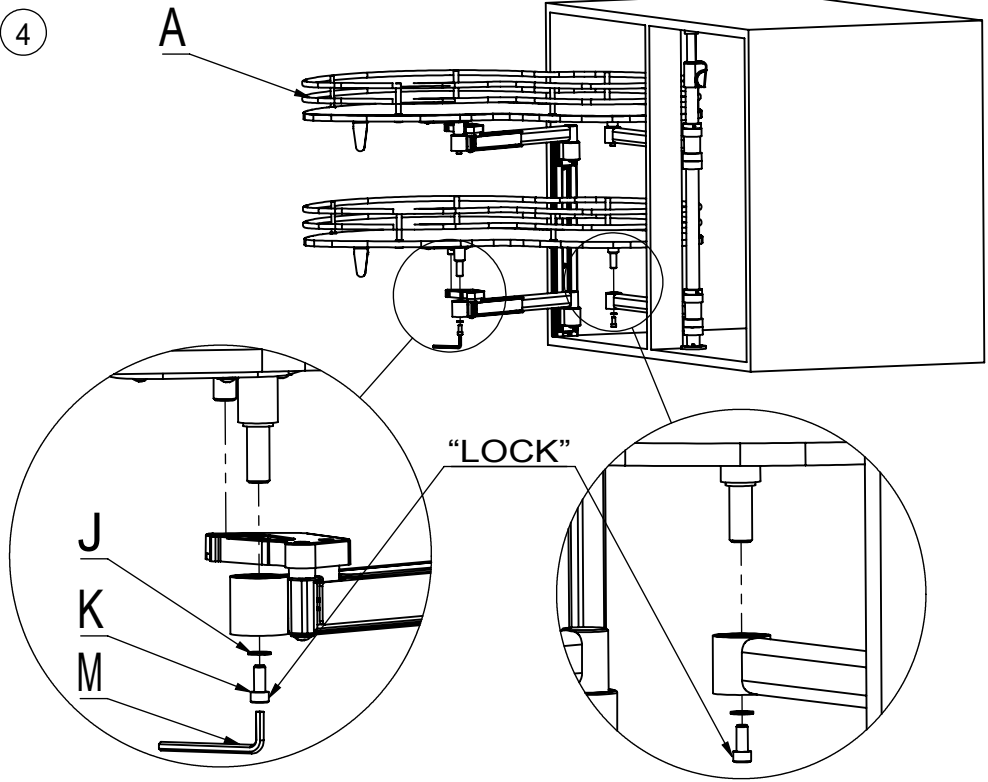
Instruction of Swing tray (900-Left Open)

Unit : mm

3



4



5

